

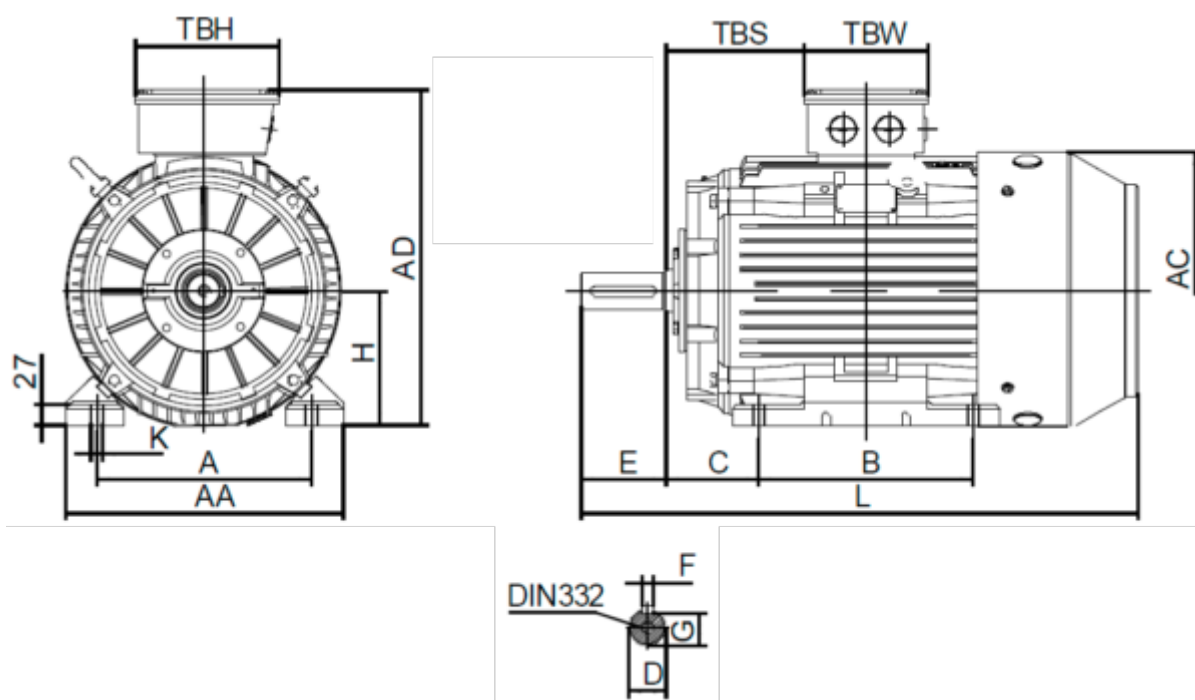
Data Sheet



Article number: 250300220212

Description: Kleedrive T3C 90L-2 2.2KW 2800 rpm
3x230/400V 50HZ IP55 B3 Eff=85,9%

Measures



A = 140	F = 8	TBW = 114
AA = 178	G = 20	
AC = Ø176	H = 90	
AD = 231	HD = 141	
B = 125	K = Ø10	
C = 56	L = 345	
D = Ø24	TBH = 114	
E = 50	TBS = 61.5	